



DYNATRON CORPORATION

TOP MOTOR TECHNOLOGY(HUIZHOU)CO,LTD

Specification for Approval

Customer:		
Model Number:	DB127515BM-PWM	
Part Number:		
Issued Date:	Friday May 21,2010	
Customer Approval		
Approval:	Check:	
Corporate Headquarters Dynatron Corporation 41458 Christy Street, Fremont, California 94538, U.S.A. Tel: 510-498-8888 Fax: 510-498-8488	Manufactory TOP MOTOR TECHNOLOGY(HUIZHOU)CO,LTD Baishi Village,QiuchangTown, Huiyang Dist,HuizhouCity,Guangdong Province,P.R.China Tel: 86-752-353-5591 (Rep.) Fax: 86-752-353-5592	
<i>Los Angeles Office (U.S.A.)</i> 337 Paseo Sonrisa, Walnut, California 91789 U.S.A. Tel: 909-598-2222 Fax: 909-598-8158	<i>Taipei Office (Taiwan, R.O.C.)</i> 8F, No. 35,Lane:221, Gang Cian Road, Taipei, Taiwan, R.O.C. Tel: 886-2-2799-5799(Rep.) Fax: 886-2-2799-9577	
Approval:	Check:	Initiator:
Simon_Wang	-	Xu yan



DYNATRON CORPORATION

TOP MOTOR TECHNOLOGY(HUIZHOU)CO,LTD

CONTENTS		Page
1.	SCOPE	3
2.	ELECTRICAL CHARACTERISTICS	3
3.	MECHANICAL CHARACTERISTICS	4
4.	ENVIRONMENTAL	4
5.	PROTECTION	5
6.	ATTACHMENTS	5
	6.1. Product Dimension	6
	6.2. Frequency Generator Output	7
	6.3. Electrical specifications for pwm production	8-9



DYNATRON CORPORATION

TOP MOTOR TECHNOLOGY(HUIZHOU)CO,LTD

1. SCOPE

This specification defines the electrical and mechanical characteristics of the □ AC / ■ DC Brush less(□Sleeve Bearing/□1-Ball Bearing/■2-Balls Bearing)axial flow fan, which is carefully designed and manufactured for your special needs by Dynatron Corporation.

2. ELECTRICAL CHARACTERISTICS

Items		Description		
1.	Rated Voltage	DC 12 V		
2.	Operating Voltage	10.8 V ~ 13.2 V		
3.	PWM Frequency 25KHz	Duty Cycle D=0%~20%	Duty Cycle D=50%	Duty Cycle D=100%
4.	Start Voltage	7V		
5.	Air Flow – At rated voltage zero static pressure (minimal value)	0.170 m ³ /z min (6.00CFM)	0.235 m ³ / min (8.3CFM)	0.337m ³ / min (11.9CFM)
6.	Static Pressure – At rated voltage At zero air flow	2.2mm-H ₂ O (0.087inch-H ₂ O)	11.5mm-H ₂ O (0.453inch-H ₂ O)	23.6mm-H ₂ O (0.929inch-H ₂ O)
7.	Input Current (Max.)	0.05A	0.15A	0.40A
8.	Speed (Max.)	1000RPM ±10%	2500RPM ±10%	4000RPM ±10%
9.	Acoustical Noise	21.0dBA	37.8dBA	46.1dBA
10.	Input Power	0.6W	1.8W	4.8W
11.	Insulation Resistance – Between Frame and Terminal	10 M ohm at DC 500 V		
12.	Dielectric Strength – Between Frame and Terminal	5 mA (Max.) @ AC 500 V 60 Hz 1 min.		
13.	Life – Continuous operating under normal temperature (40 °C or 104 °F)	80,000 hours		
14.	Rotation	Clockwise Air Discharged		
15.	Lead Wires	UL 1007, awg 28 or Equivalent “-”: Black; “+”: Yellow;”s”: Green. ”PWM”: Blue.		



DYNATRON CORPORATION

TOP MOTOR TECHNOLOGY(HUIZHOU)CO,LTD

3. MECHANICAL CHARACTERISTICS

Items		Description
1.	Dimension	Display as Drawing
2.	Frame	Aluminium
3.	Impeller	PBT UL94V-0 (Black)
4.	Bearing System	Two balls Bearing
5.	Weight	70±5grams

4. ENVIRONMENTAL

Items		Description
1.	Operating Temperature	- 10 °C ~ + 65 °C (65 %RH)
2.	Storage Temperature	- 30 °C ~ + 70 °C (65 %RH)
3.	Vibration Test	Motor withstands 1000 rpm vibrating with 2 mm amplitude for 30 minutes up and down, right and left, back and forth directions.
4.	Drop Test	Motor withstands one free body drop from 30 cm in high onto 10 mm thickness of wooden board for each of the three faces in minimum packing condition.
5.	Acoustic Noise	21.0/37.8/46.1dBA- Curve(Max21.9/38.4/47.0dBA) Measuring Condition – Under rated voltage in semi-anechoic chamber equipment sound level meter. (Figure A.)

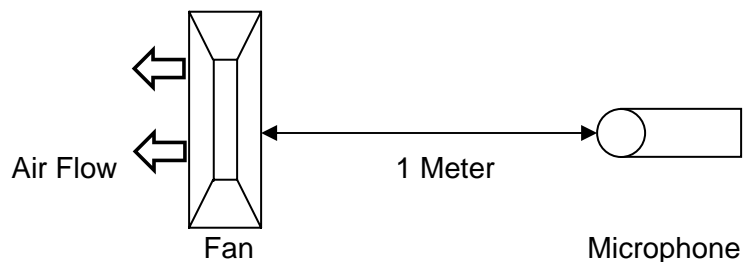


Figure A – Noise Level is measure at rated voltage in anechoic chamber in free air as above.



DYNATRON CORPORATION

TOP MOTOR TECHNOLOGY(HUIZHOU)CO,LTD

5. PROTECTION

Items		Description
1.	Polarity Protection	For polarity error connection to power, the circuit withstands reversed connection between positive and negative leads.
2.	Locked Rotor Protection	Motor winding protects the motor from damage in 72 hours of locked rotor condition at rated voltage.

6. ATTACHMENTS

- 6.1. Product Dimension
- 6.2. Frequency Generator Output
- 6.3. Electrical specifications for pwm production

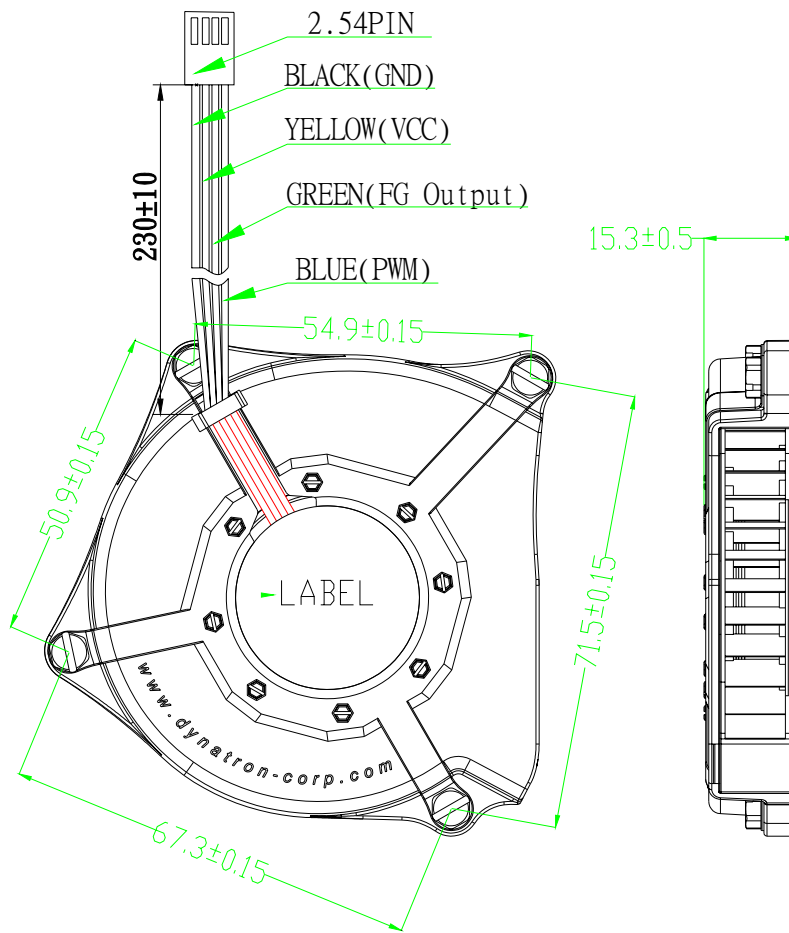


DYNATRON CORPORATION

TOP MOTOR TECHNOLOGY(HUIZHOU)CO,LTD

Product Dimension

DIMENSIONS



UNIT:MM

LEAD WIRE:1007 #28AWG 80°C 300V UL,CSA APPROVAL



TOP MOTOR TECHNOLOGY
(HUIZHOU) CO,LTD

DB127515XX

Drawing Type	Dimensions	Tolerance	Vide Supra	Approval	Wang hui
		Unit	mm	Check	Wen lin
Remark		Edition	1.0	Initiator	Xu yan
		Date			2010/05/21



DYNATRON CORPORATION

TOP MOTOR TECHNOLOGY(HUIZHOU)CO,LTD

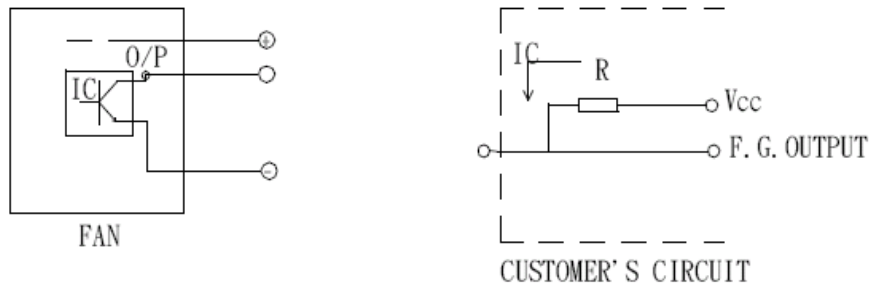
6.2. Frequency Generator Output

FREQUENCY GENERATOR OUTPUT(Tack Out)

3rd Wurd Square Wave Signal is Amplified by a transistor (open collector type)

Frequency generator function is activated by an internal IC for customer's application.

Electrical schematic:



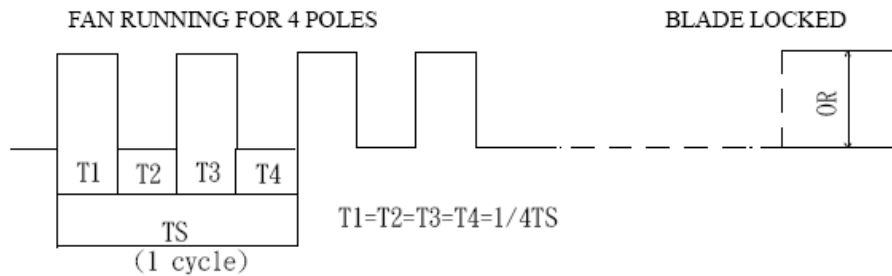
CUSTOMER'S CIRCUTT

Vcc=From+5 To+28 VDC(Generally using+12or+24 VDC)

Ic=2mA max.

R=V/I(OUTPUT "R" value calculation)

Frequency generator waveform:



TS=60/N(sec)

N=R.P.M. (Rotation speed will be different by various model L/M/H)



DYNATRON CORPORATION

TOP MOTOR TECHNOLOGY(HUIZHOU)CO,LTD

6.3 Electrical Specifications for pwm production

USA Dynatron Corp.

Electrical Specifications for PWM production

Voltage

Fan operating voltage shall be within the range 12V \pm 1.2V.

Current

Peak fan current draw during start-up operation(with 13.2V applied,with fan operating in the free stream condition)shall not exceed 2.0 A.

Fan current spike during start-up operation(with 13.2V applied with fan operating in the free stream condition)shall be allowed to exceed 1.0 A for a duration of no greater than 1.0 sec.

Tachometer Output Signal

Fan shall provide tachometer output signal with the following characteristics:

- * Two pulses per revolution
- * Open-collector or open-drain type output
- * Motherboard will have a pull up to 12V, maximum 13.2V

PWM Control Input Signal

The following requirements are measured at the PWM(control) pin of the fan cable

connector:PWM Frequency:Target frequency 25kHz,

acceptable operational range 21 kHz to 28 KHz

Maximum voltage for logic low:VIL=0.8V

Absolute maximum current sourced:Imax=5mA(short circuit current)

Absolute maximum voltage level:Vmax=5.25V(open circuit voltage)

Fan Speed Control

1.1Maximum Fan Speed Requirements

The maximum fan speed shall be specified for the fan model by the vendor and correspond to 100% duty cycle PWM signal input.

1.2 Minimum Fan Speed Requirements

The vendor shall specify the minimum RPM and the corresponding PWM duty cycle. This specified minimum RPM shall be 30% of maximum RPM or less.The fan shall be able to start and run at this RPM. To allow a lower specified minimum RPM,it is acceptable to provide a higher PWM duty cycle to the fan motor for a short period of time for startup conditions.This pulse should not exceed 30% maximum RPM and should last no longer than 2 seconds.



DYNATRON CORPORATION

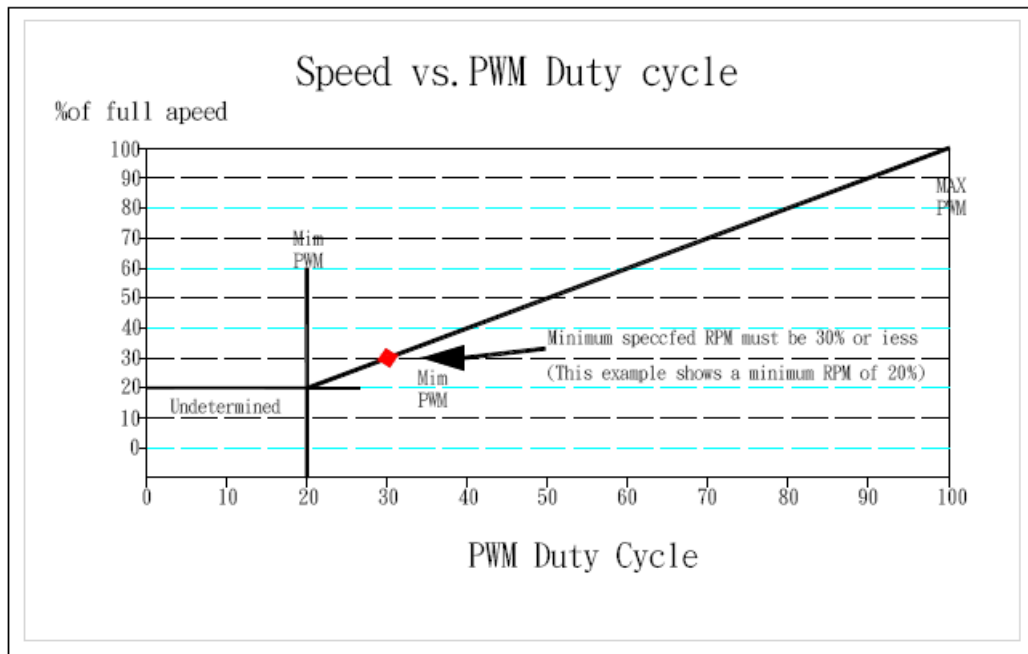
TOP MOTOR TECHNOLOGY(HUIZHOU)CO,LTD

USA Dynatron Corp.

1.3 Fan Speed Response PWM Control Input Signal

The PWM input shall be delivered to the fan through the control signal on Pin4. Fan speed response to this signal shall be a continuous and monotonic of the duty cycle of the signal, from 100% to the minimum specified RPM. The fan RPM (as a percentage of maximum RPM) should match the PWM duty cycle within $\pm 10\%$. If no control signal is present the fan shall operate at maximum RPM.

Figure 1 Fan speed Response to PWM Control input Signal



1.4 Operation Below Minimum RPM

For all duty cycles less than the minimum duty cycle, the RPM shall not be greater than the minimum RPM. The following graphs and definitions show three recommended solutions to handle PWM duty cycles that are less than the minimum operational PWM, as a percentage of maximum.

Reference resource by Intel's 4-wire PWM Fan controlled specification.